

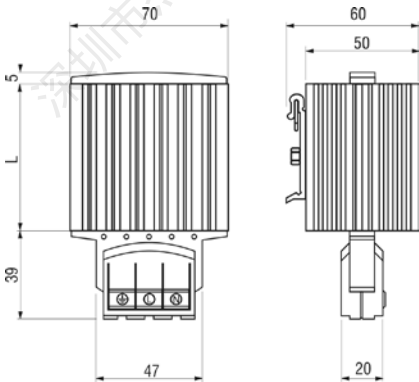
SEMICONDUCTOR HEATER

HG 140 | 15 W to 150 W



- > Pressure clamp connectors
- > Dynamic heating up
- > Wide voltage range
- > Energy saving
- > Clip fixing
- > Quick installation

These heaters are used in enclosures where damage from condensation must be prevented, or where the temperature may not fall below a minimum value. The aluminium profile heater body design has a chimney effect and distributes the heat evenly. The heaters are designed for permanent operation. Pressure clamp connectors save time and simplify installation.



TECHNICAL DATA

| | |
|----------------------------------|--|
| Operating voltage | AC/DC 120 – 240 V ¹ (min. 110 V, max. 265 V) |
| Heating element | PTC resistor – temperature limiting |
| Heater body | extruded aluminium profile, anodised |
| Connection | 3 pressure clamps for stranded wire 0.5 – 1.5 mm ² (with wire end ferrule) and rigid wire 0.5 – 2.5 mm ² |
| Connection casing | plastic according to UL94 V-0, black |
| Mounting | clip for 35 mm DIN rail, EN 60715 |
| Fitting position | vertical airflow (air outlet up, connection on bottom) |
| Operating/Storage temperature | -45 to +70 °C (-49 to +158 °F) |
| Operating/Storage humidity | max. 90 % RH (non-condensing) |
| Protection type/Protection class | IP20 / I (earthed) |
| Approvals | VDE, UL File No. E150057, EAC |
| Accessoires | screw fixing, Art. No. 09024.0-00 (1 packing unit = 2 pieces) |
| Note | other voltages on request |

¹ Operating with voltages below AC/DC 140 V reduces heating performance by approx. 10 %.

| Art. No. | Heating capacity ² | Inrush current max. | Recommended pre-fuse T (time-delay) | Length (L) | Weight (approx.) |
|------------|-------------------------------|---------------------|-------------------------------------|------------|------------------|
| 14000.0-00 | 15 W | 1.5 A | 2.0 A | 65 mm | 0.3 kg |
| 14001.0-00 | 30 W | 3.0 A | 4.0 A | 65 mm | 0.3 kg |
| 14003.0-00 | 45 W | 3.5 A | 4.0 A | 65 mm | 0.3 kg |
| 14005.0-00 | 60 W | 2.5 A | 4.0 A | 140 mm | 0.4 kg |
| 14006.0-00 | 75 W | 4.0 A | 6.3 A | 140 mm | 0.5 kg |
| 14007.0-00 | 100 W | 4.5 A | 8.0 A | 140 mm | 0.5 kg |
| 14008.0-00 | 150 W | 9.0 A | 10.0 A | 220 mm | 0.7 kg |

² at +20 °C (+68 °F) ambient temperature